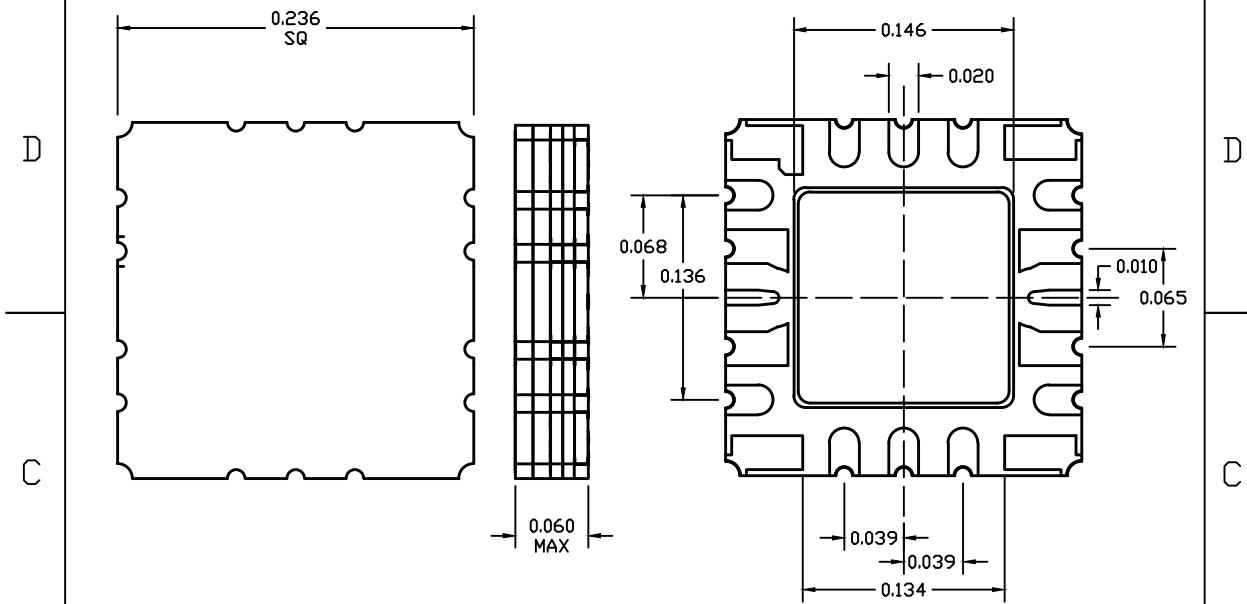


This document is the property of KCB Solutions, Inc. and contains company confidential and/or proprietary information. It is issued in strict confidence and the recipient shall not reproduce, copy, cause to be reproduced or copied, disclose to others, or use as the basis for manufacture, sale or purchase of apparatus the contents or portions thereof of this document without written permission of KCB Solutions.

REVISIONS				
ZONE	REV	DESCRIPTION	DATE	APPROVED
	-	INITIAL RELEASE	10/17/2019	PN

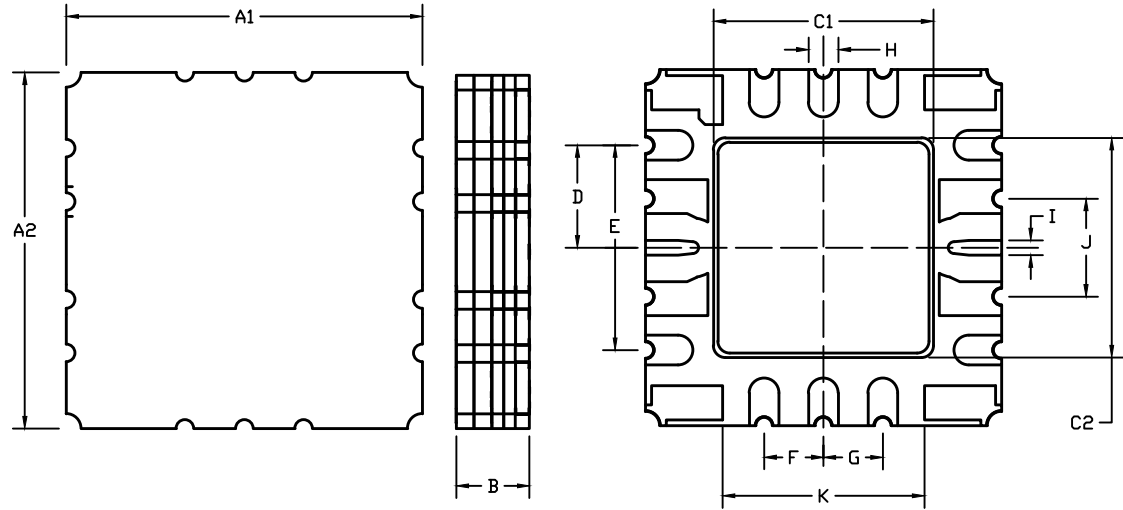


<p>THIRD ANGLE PROJECTION</p>		UNLESS OTHERWISE SPECIFIED		DRAWN BY	L. Stanin	1/3/19	KCB SOLUTIONS, LLC.	
		<p>DIMENSIONS ARE IN INCHES TOLERANCES ON FINISH ARE: ANGLES: 1/16" FRACTIONS: 1/64" 4 PLACE DECIMALS: .0005 3 PLACE DECIMALS: .002 2 PLACE DECIMALS: .005</p>		CHECKED BY	NAME	DATE	900 Mount Laurel Circle, Shirley, Ma. 01464	
<p>COMMERCIAL PUBLISHED TOLERANCES SHALL APPLY TO TUBING AND PLATE. FID ALL THREADS TO BE CLASS 2B UNLESS OTHERWISE SPECIFIED. FIT GAUGES AND TEST SPECIFIED TOLERANCES AFTER PLATING.</p>		<p>CAUTION UNLESS THIS DRAWING BEARS AUTHORIZED SIGNED APPROVALS IT IS PRELIMINARY AND IS NOT TO BE USED FOR MANUFACTURING PURPOSES.</p>		ENG. NAME	DATE	<p>OUTLINE, 6MM SQ SQ</p>		
		<p>PROD. NAME</p>		DATE				
		<p>G.A. NAME</p>		DATE				
<p>THIRD ANGLE PROJECTION</p>		<p>DO NOT SCALE DRAWING</p>		SIZE	B	CAGE CODE	3W3Q7	80140
<p>APPLICATION</p>		<p>SCALE 1:1</p>		<p>SHEET 1 OF 2</p>				

This document is the property of KCB Solutions, Inc. and contains company confidential and/or proprietary information. It is issued in strict confidence and the recipient shall not reproduce, copy, cause to be reproduced or copied, disclose to others, or use as the basis for manufacture, sale or purchase of apparatus the contents or portions thereof of this document without written permission of KCB Solutions.

REVISIONS

ZONE	REV	DESCRIPTION	DATE	APPROVED
		SEE PAGE 1 FOR REFERENCE		



PART NUMBER: _____		DATE CODE: _____												
WORK ORDER NUMBER: _____		OPERATOR: _____												
REF.	DIM	A1	A2	B	C1	C2	D	E	F	G	H	I	J	K
S/N	MIN	0.230	0.230	NA	0.140	0.140	0.062	0.130	0.033	0.033	0.014	0.004	0.059	0.128
	MAX	0.242	0.242	0.060	0.152	0.152	0.074	0.142	0.045	0.045	0.026	0.016	0.071	0.140

<p>THIRD ANGLE PROJECTION</p>	<p>UNLESS OTHERWISE SPECIFIED</p> <p>DIMENSIONS ARE IN INCHES</p> <p>TOLERANCES ON FINISH ARE ±3 ANGLES: 1/16" FRACTIONS: 1/64 4 PLACE DECIMALS: 0.0005 3 PLACE DECIMALS: 0.0005 2 PLACE DECIMALS: 0.0005</p>	<p>DRAWN BY: L. Stanin</p> <p>CHECKED BY: _____</p> <p>ENG. NAME: _____</p> <p>PROD. NAME: _____</p> <p>G.A. NAME: _____</p>	<p>1/3/19</p> <p>DATE: _____</p> <p>DATE: _____</p> <p>DATE: _____</p>	<p>KCB SOLUTIONS, LLC.</p> <p>900 Mount Laurel Circle, Shirley, Ma. 01464</p>
	<p>COMMERCIAL PUBLISHED TOLERANCES SHALL APPLY TO TURNING AND PLATE. FIP ALL THREADS TO BE CLASS 2A UNLESS OTHERWISE NOTED. FIT GAUGES AND MEET SPECIFIED TOLERANCES AFTER PLATING.</p> <p>CAUTION: UNLESS THIS DRAWING BEARS AUTHORIZED SIGNED APPROVALS, IT IS PRELIMINARY AND IS NOT TO BE USED FOR MANUFACTURING PURPOSES.</p>	<p>THIRD ANGLE PROJECTION</p>	<p>SIZE: B</p> <p>CAGE CODE: 3W3Q7</p>	<p>80140</p>
<p>NEXT ASSEMBLY: _____</p> <p>USED ON: _____</p> <p>APPLICATION: _____</p>	<p>DO NOT SCALE DRAWING</p>		<p>SCALE: 1:1</p>	<p>SHEET 2 OF 2</p>