

3

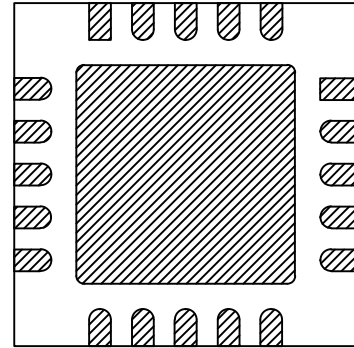
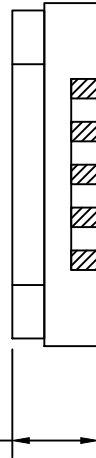
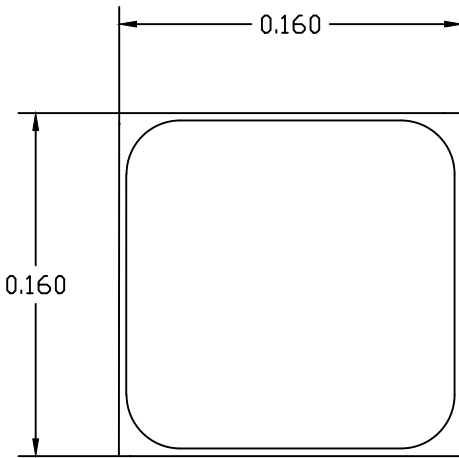
2

1

This document is the property of KCB Solutions, Inc. and contains company confidential and/or proprietary information. It is issued in strict confidence and the recipient shall not reproduce, copy, cause to be reproduced or copied, disclose to others, or use as the basis for manufacture, sale or purchase of apparatus the contents or portions thereof of this document without written permission of KCB Solutions.

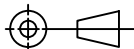
REVISIONS

ZONE	LTR	DESCRIPTION	DATE	APPROVED
	(-)	INITIAL RELEASE	12/17/14	DE
	A	CDCD 1891: CHANGED PACKAGE DETAIL	10/1/18	EJW



0.055 MAX

THIRD ANGLE PROJECTION

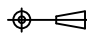


UNLESS OTHERWISE SPECIFIED  
 DIMENSIONS ARE IN INCHES  
 TOLERANCES ON FINISH RMS 63  
 ANGLES: ±1/2° FRACTIONS: ±1/64  
 4 PLACE DECIMALS: ±.0005  
 3 PLACE DECIMALS: ±.005  
 2 PLACE DECIMALS: ±.01

COMMERCIAL PUBLISHED TOLERANCES SHALL APPLY TO TUBING, BAR, PLATE ETC. ALL THREADS TO BE CLASS 2A OR 2B. PLATED PARTS MUST FIT GAUGES AND MEET SPECIFIED TOLERANCES AFTER PLATING.

CAUTION  
 UNLESS THIS DRAWING BEARS AUTHORIZED SIGNED APPROVAL(S) IT IS PRELIMINARY AND IS NOT TO BE USED FOR MANUFACTURING PURPOSES.

DRAWN BY	KONG_SDYNNANHANG	02/20/13
CHECKED BY	D.SCDFIELD	02/20/13
ENG.	M.CROWNE	12/17/14
PROD.	G.WEADICK	12/17/14
Q.A.	W.WYNKODD	12/17/14

THIRD ANGLE PROJECTION   
 DO NOT SCALE DRAWING

KCB SOLUTIONS, INC.  
 900 Mount Laurel Circle, Shirley, Ma. 01464

OUTLINE,  
 4MM SQ 20 LEAD

SIZE B CAGE CODE 3W3Q7 80064

SCALE 1 : 1 SHEET 1 OF 2

3

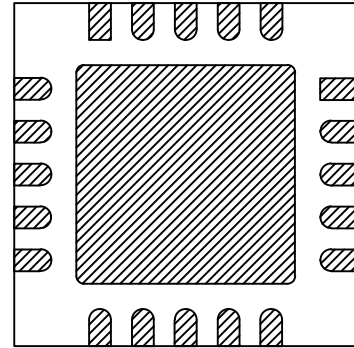
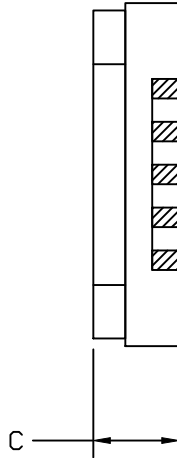
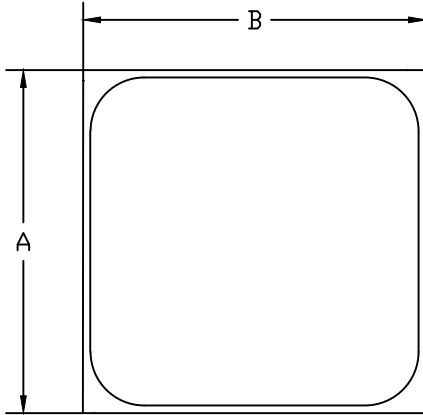
2

1

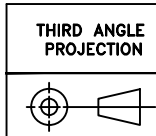
This document is the property of KCB Solutions, Inc. and contains company confidential and/or proprietary information. It is issued in strict confidence and the recipient shall not reproduce, copy, cause to be reproduced or copied, disclose to others, or use as the basis for manufacture, sale or purchase of apparatus the contents or portions thereof of this document without written permission of KCB Solutions.

REVISIONS

ZONE	LTR	DESCRIPTION	DATE	APPROVED



PART NUMBER:		DATE CODE: _____									
WORK ORDER NUMBER: _____		OPERATOR: _____									
REF. DIM	A	B	C								
S/N	MIN	0.155	0.155	----							
	MAX	0.165	0.165	0.055							



UNLESS OTHERWISE SPECIFIED  
 DRAWN BY KONG\_SQYNNANHANG 02/20/13  
 CHECKED BY D.SCOFIELD 02/20/13  
 ENG. G.WEADICK 12/17/14  
 PRD. M.CROWNE 12/17/14  
 Q.A. W.WYNKDDP 12/17/14  
 THIRD ANGLE PROJECTION

**KCB SOLUTIONS, INC.**  
 900 Mount Laurel Circle, Shirley, Ma. 01464

OUTLINE,  
 4MM SQ 20 LEAD

SIZE B CAGE CODE 3W3Q7 80064

APPLICATION NEXT ASSEMBLY USED ON

CAUTION UNLESS THIS DRAWING BEARS AUTHORIZED SIGNED APPROVAL(S) IT IS PRELIMINARY AND IS NOT TO BE USED FOR MANUFACTURING PURPOSES.  
 DO NOT SCALE DRAWING

SCALE 1 : 1 SHEET 1 OF 2